

***SENSYLINK Microelectronics***

***(CA9542)***

***Low Voltage 2-Channel I<sup>2</sup>C/SMBus  
multiplexer with Interrupt***

***CA9542 is a 2-channel bidirectional translating multiplexer with interrupt input and output controlled by I<sup>2</sup>C/SMBus. It supports one master can access one pair of 2 pairs of slave devices via the I<sup>2</sup>C or SMBus interface.  
It is ideally used in Server and Telecom equipment.***

## Low Voltage 2-Channel I<sup>2</sup>C/SMBus Multiplexer with Interrupt

### Description

The chip is a 2-channel bidirectional translating multiplexer with interrupt input and output controlled by I<sup>2</sup>C/SMBus. The upstream pair (SCL/SDA from the master) fans out to 2 downstream pairs (SCL0-1/SDA0-1 from the slaves). The CA9542 has a control register, which allows selecting only one channel at a time.

Power-on reset will let the chip to recover from stuck situation from any downstream pair. It can reset the I<sup>2</sup>C bus state machine, and all channels will be deselected.

Two interrupt inputs ( $\overline{\text{INT0}}$  -  $\overline{\text{INT1}}$ ), one for each of downstream pairs are provided. One interrupt output ( $\overline{\text{INT}}$ ) acts as an AND of two interrupt inputs.

The chip allows using different bus voltage on each pair, like 1.8V, 2.5V or 3.3V, which can communicate with 5.0V parts by connecting external pull-up resistors to desired voltage.

Available Package: SOP-14, TSSOP-14 package.

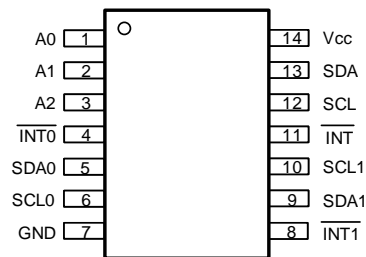
### Features

- Operation Voltage: 1.65V to 5.5V
- Standby Current: 1.5uA (Max.)
- 1-of-2 bidirectional translating multiplexer between 1.8V, 2.5V, 3.3V and 5.0V
- Compatible with I<sup>2</sup>C/SMBus interface
- I<sup>2</sup>C Speed up to 1.0MHz (Fast mode+)
- 3 address pins allowing up to 8 devices on the I<sup>2</sup>C-bus
- One Interrupt output with active low for upstream channel
- Two Interrupt inputs with active low for each downstream channel
- 5.5V tolerant inputs
- Channel selection by Control Register
- Support hot insertion
- No Glitch during Power-up
- Noise Filter on SCL/SDA inputs
- Temperature Range: -40°C to 85°C

### Applications

- Server, Notebook PC
- Telecom equipment

### PIN Configurations (Top View)



SOP-14/TSSOP-14(Package code M/MT)

### Typical Application

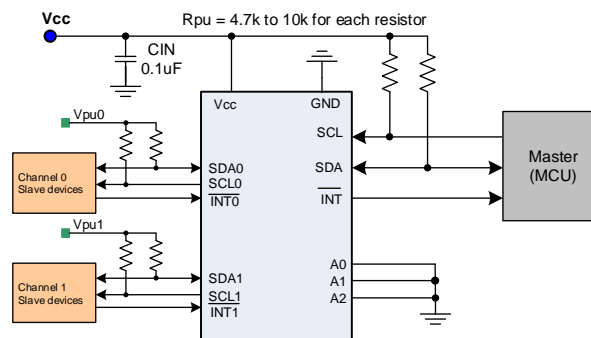


Figure 1. Typical application of CA9542

## Low Voltage 2-Channel I<sup>2</sup>C/SMBus Multiplexer with Interrupt

### Pin Description

PIN Name	PIN No.	Description
A0	1	Slave addresses setup pins, which can generate 8 kinds of slave addresses by connecting these pins to GND or Vcc respectively.
A1	2	
A2	3	
$\overline{\text{INT0}}$	4	Interrupt input 0 with active low, connect to Vpu0 <sup>(1)</sup> via a pull-up resistor.
SDA0	5	Serial data of channel 0, connect to Vpu0 <sup>(1)</sup> via a pull-up resistor.
SCL0	6	Serial clock of channel 0, connect to Vpu0 <sup>(1)</sup> via a pull-up resistor.
GND	7	Ground pin.
$\overline{\text{INT1}}$	8	Interrupt input 1 with active low, connect to Vpu1 <sup>(1)</sup> via a pull-up resistor.
SDA1	9	Serial data of channel 1, connect to Vpu1 <sup>(1)</sup> via a pull-up resistor.
SCL1	10	Serial clock of channel 1, connect to Vpu1 <sup>(1)</sup> via a pull-up resistor.
$\overline{\text{INT}}$	11	Interrupt output with active low, connect to Vcc via a pull-up resistor.
SCL	12	Digital interface clock input pin, need a pull-up resistor to Vcc.
SDA	13	Digital interface data input or output pin, need a pull-up resistor to Vcc.
Vcc	14	Power supply input pin, using 0.1uF low ESR ceramic capacitor to ground

[1] Vpu0 and Vpu1 are the pull-up reference voltage for the associated data line.

### Function Block

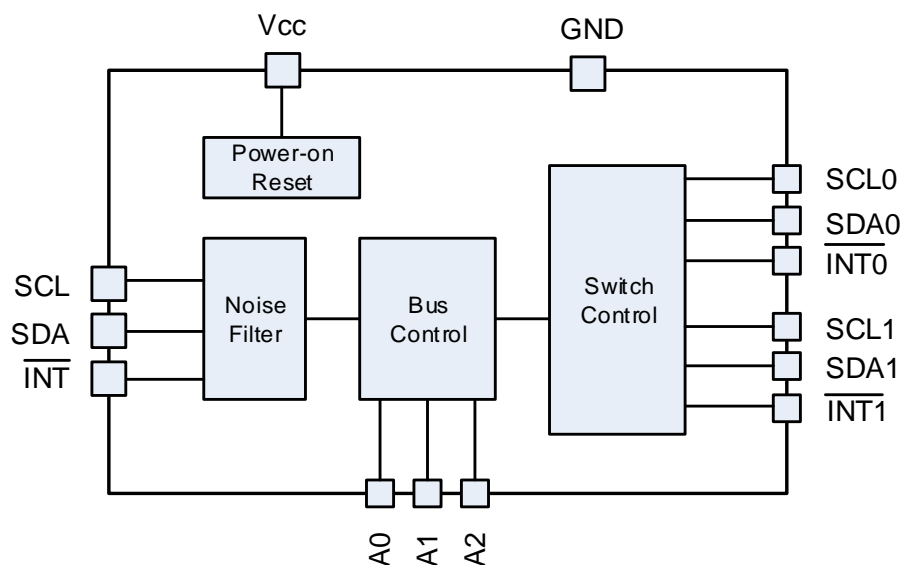
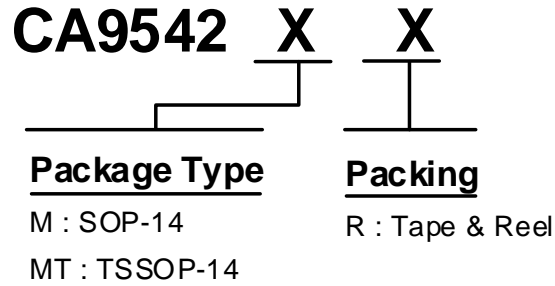


Figure 2. CA9542 function block

**Low Voltage 2-Channel I<sup>2</sup>C/SMBus Multiplexer with Interrupt**
**Ordering Information**


Order PN	Green <sup>1</sup>	Package	Marking ID <sup>2</sup>	Packing	MPQ	Operation Temperature
CA9542MR	Halogen free	SOP-14	9542 YWWAXX	Tape & Reel	4,000	-40°C ~ +85°C
CA9542MTR	Halogen free	TSSOP-14	9542 YWWAXX	Tape & Reel	4,000	-40°C ~ +85°C

**Notes**

1. Based on ROHS Y2012 spec, Halogen free covers lead free. So most package types Sensylink offers only states halogen free, instead of lead free.

2. Marking ID includes 2 rows of characters. In general, the 1<sup>st</sup> row of characters are part number, and the 2<sup>nd</sup> row of characters are date code plus production information.



## ***SENSYLINK Microelectronics Inc.***

***[www.sensylink.com](http://www.sensylink.com)***

### **IMPORTANT NOTICE**

SENSYLINK Microelectronics Inc. reserves the right to make modifications, enhancements, improvements, corrections or other changes without further notice to this document and any product described herein or to discontinue any product or service. Customers should obtain the latest relevant information before placing orders and should verify the latest and complete information. SENSYLINK Microelectronics does not assume any responsibility for use of any product, nor does SENSYLINK Microelectronics any liability arising out of the application or use of this document or any product or circuit described herein. SENSYLINK Microelectronics assumes no liability for applications assistance or the design of Customers' products. Customers are responsible for their products and applications using SENSYLINK Microelectronics components. SENSYLINK Microelectronics does not convey any license under its patent or trademark rights nor the other rights.

SENSYLINK Microelectronics Inc. © 2015 - 2023.